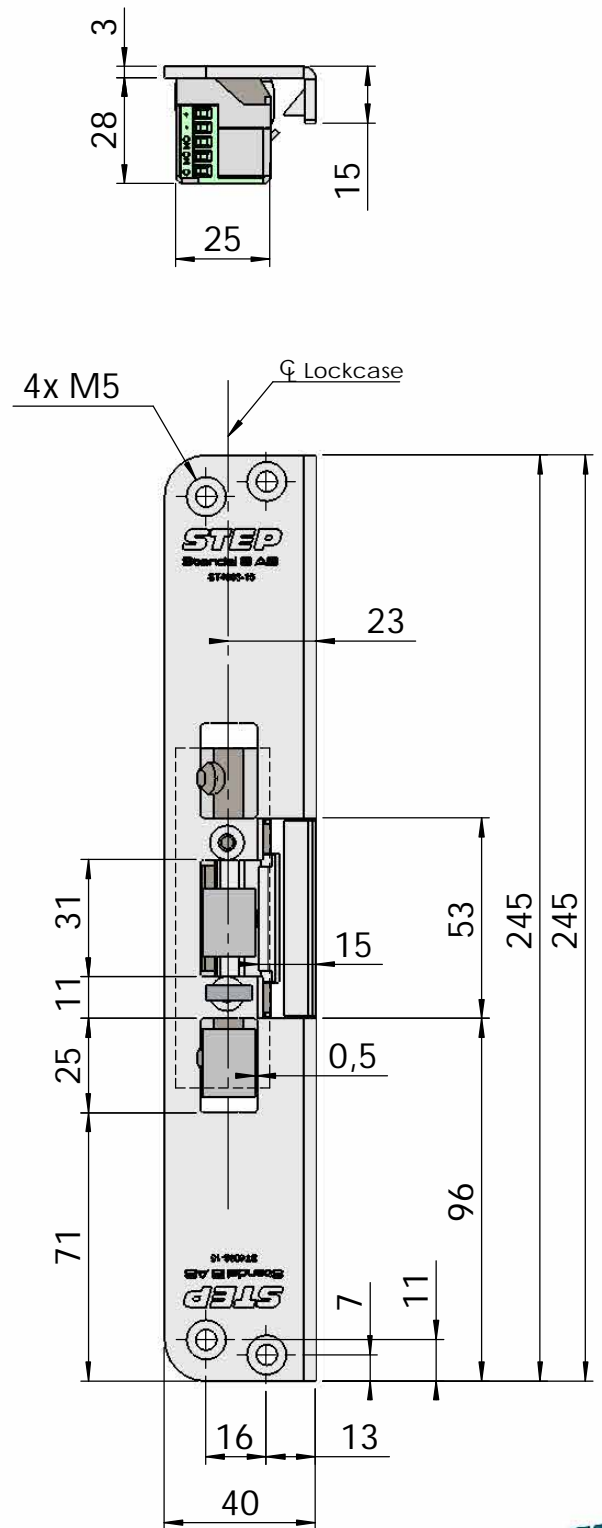
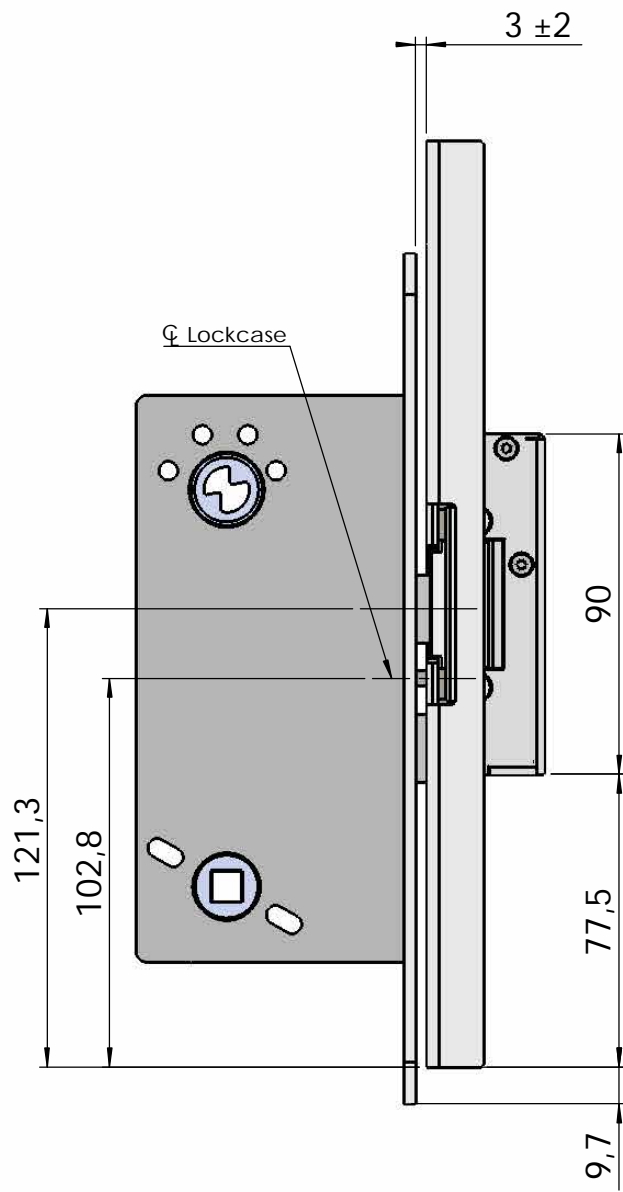




# Montering för Modul



This document shall not be copied without owners written allowance and its content shall not be exposed for third part nor be used for unauthorized purpose.

**Stendals EI AB**

Title/Description  
**STEP 40 med vinklad stolpe plös 15mm**  
**Montering för Modul**

Drawing no. **ST4003-15**

Scale **1:2**

