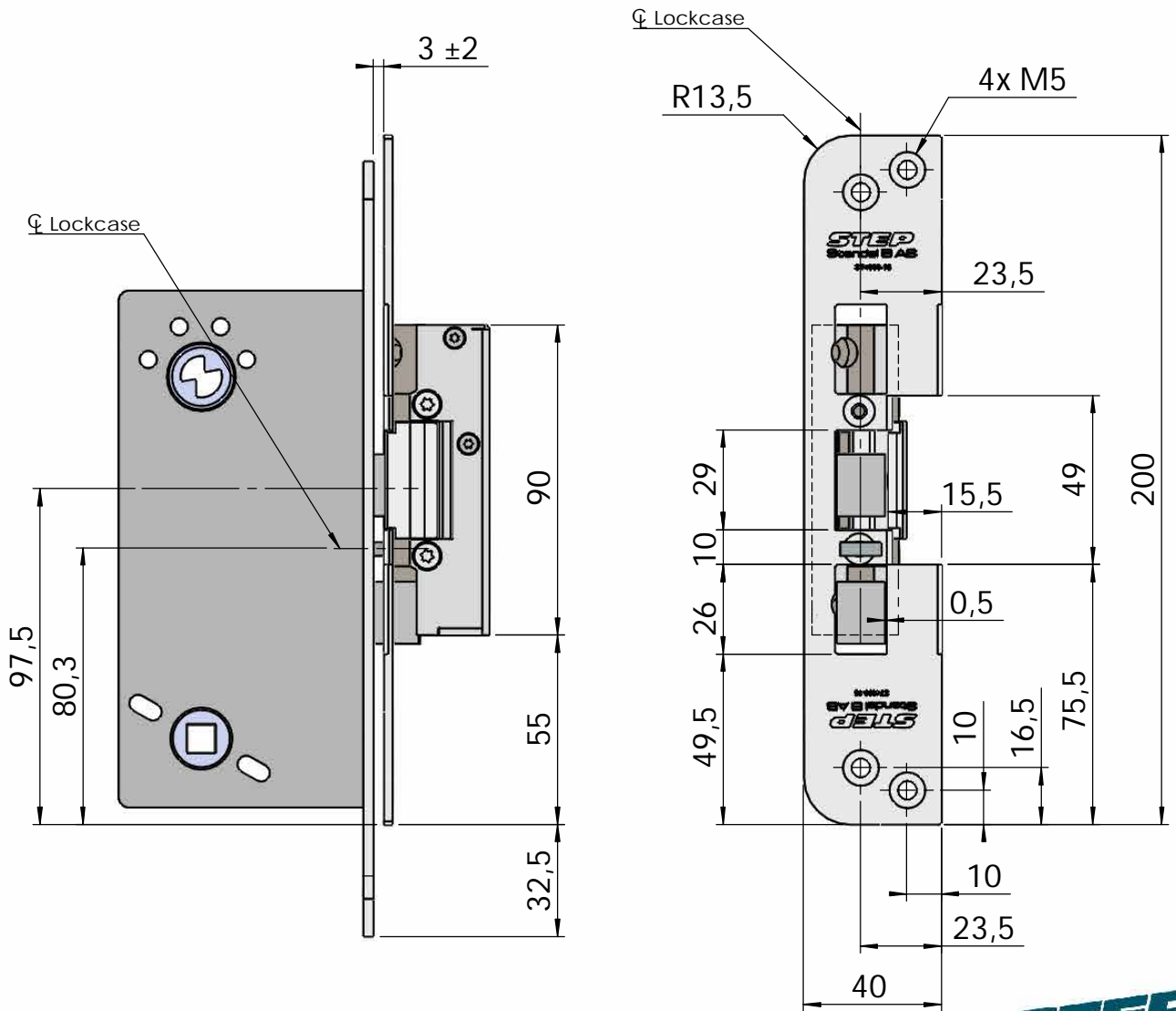
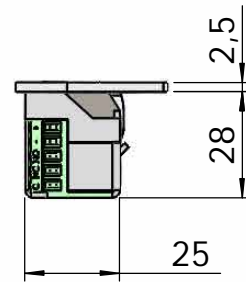




Montering för Modul



This document shall not be copied without owners written allowance and its content shall not be exposed for third part nor be used for unauthorized purpose.

Owner
Stendals EI AB

Title/Description
**STEP 40 med plan stolpe plös 16mm
Montering för Modul**

Drawing no. **ST4009-16**

Scale
1:2

